

# TWINSAW

## LRS 2402



**PARTS**

**UK**

1<sup>st</sup> Edition 2022

 **GREENTEC**

*Cutting Edge Technology*





## IMPORTANT INFORMATION

# GreenTec LRS 2402 Twinsaw

## PARTS 1. Edition – 2022

Please ensure that this manual is handed to the operator before using the machine for the first time.

*If the machine is resold the Parts list must be given to the new owner!*

The information contained in this Parts list is correct at the time of publication. However, in the course of constant development, changes in specification are inevitable. Should you find the information given in this book different to the machine it relates to please contact the “After Sales Department” for advice.



## CONTENTS

### Indhold

INTRODUCTION .....	4
USEFUL INFORMATION .....	5
ORDERING PARTS .....	6
SPARE PARTS .....	7
Main frame.....	7
Twinsaw Builtkit R/L 2x50L/100L ADGT 1364/1367/1373/1376.....	9
Motor.....	10
Blade shaft .....	11
Option Bladerotor kpl. OPTE 4225 .....	12
Secondary tensioning system .....	13
Primary tensioning system .....	14
Transfers .....	15
Piston motor info .....	16

## INTRODUCTION

Dear customer!

Your new GreenTec machine is constructed with background in more than 20 years experience with tractor mounted machines to maintenance of green areas. This machine is produced by the latest technology and recognized safety regulations, standards and regulations.

We want to make a product available in such a way, that neither the use of the machine during transportation or maintenance of the machine causes any damage or misunderstandings.

This parts list contains information that are important and useful for maintaining your GreenTec machine's reliability, dependability and value.

You are welcome to visit our website [www.greentec.eu](http://www.greentec.eu) - where the login via the dealer's access gives you the latest updates on instructional and part books on our entire product range.

We hope, you will be pleased with your new GreenTec machine.



Best regards,



John Christensen  
Sales Director GreenTec A/S

**GreenTec's** vision is to develop and sell quality machines for the maintenance of green areas, including in agriculture, in industry, at airports and in the local sector. Through innovative product development, we will strive to become a leader in our field.

All machines are developed in a simple and functional design in close cooperation with dealers and end users. It is our goal to cover every need in the market segment with preferably 2 different solutions. In-depth analysis of requirements and serious advice to the customer is offered the best solution, where individual needs can be met through the modularity of the product program.

Our goal is also to offer the best possible after sales service, and a quick and efficient spare parts supply.

## USEFUL INFORMATION

Before using the machine for the first time, it's the seller's responsibility that the buyer is given this parts list. If the machine is resold, the parts list must be transferred to the new owner.

Please fill out the list below to ensure that the necessary information is at hand when ordering spare parts etc.

**Serial No**

**Delivery date**

**Dealer**

**E-mail**

**Tel.**



Merkurvej 25  
DK 6000 Kolding  
Denmark  
Tel: +45 75553644  
Email: [info@greentec.eu](mailto:info@greentec.eu)  
web: [www.greentec.eu](http://www.greentec.eu)  
Opening hours: Mon-Fri 8-16

## ORDERING PARTS

When ordering parts please refer to your parts list to help your dealer with your order.

- Part number and quantity
- Description
- Machine model number
- Serial number of the machine
- Delivery instructions (e.g. next day).

Delivery is normally via carrier direct to your dealer. Please check with your dealer for stock availability and arrangement of dispatch. Ensure you or your dealer has sufficient cover for parts requirement outside factory hours.

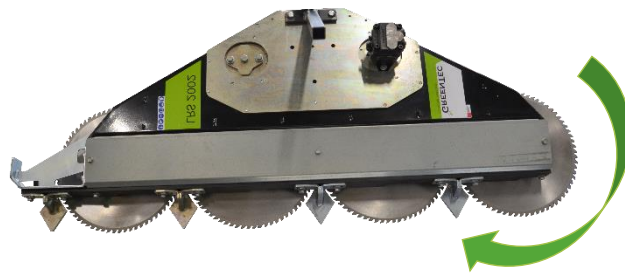
### Important Note

The information contained in this manual is correct at the time of publication. However, in the course of constant development, changes in specification are inevitable. Should you find the information given in this book different to the machine it relates to, please contact the “After Sales Department” for advice.

#### Key:

(LH) = Left hand saw  
(RH) = Right hand saw

LH

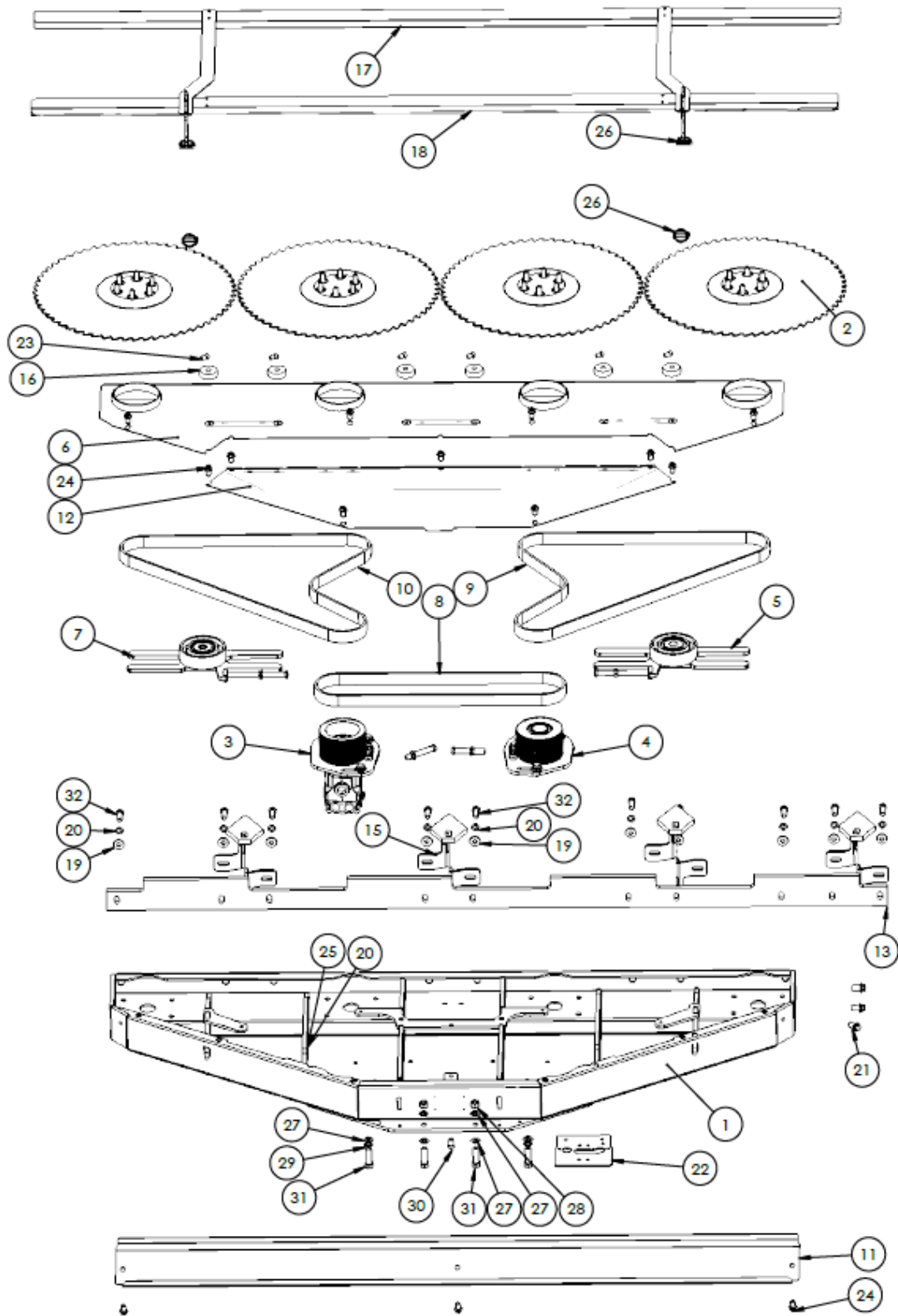


RH



## SPARE PARTS

### Main frame



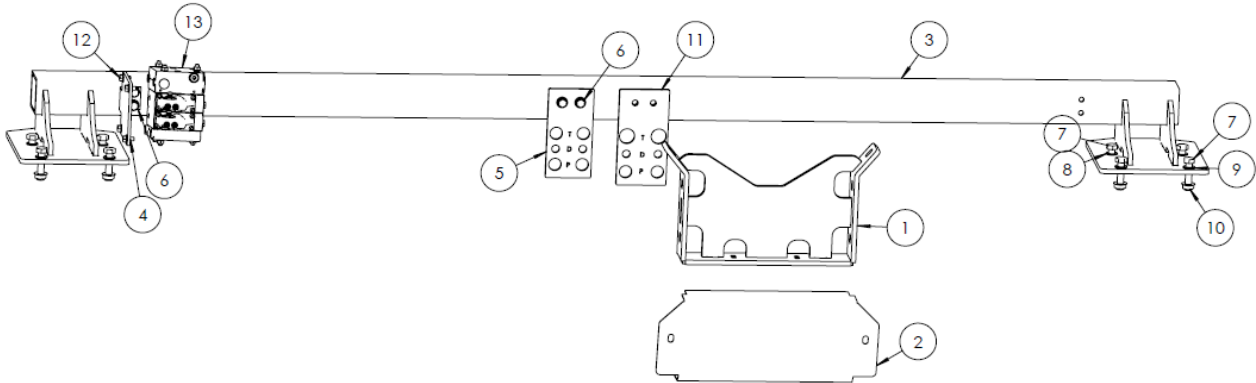


ITEM NO.	PART NUMBER	DESCRIPTION	QTY.
1	8251500	Main frame	1
2		See section "blade shaft"	4
3		See section "motor"	1
4		See section "primary tensioning system"	1
5		See section "secondary tensioning system"	1
6	8251501	Lower cover	1
7		See section "secondary tensioning system"	1
8	8254001	Belt for motor	1
9+10	8254002	Belt	2
11	8251000	Top Cover	1
12	8251502	Cover	1
14	8258001	Cover	1
15	8251504	Branch carrier	4
16	8258002	Plastic washer	6
17+18	8251514	Cover / transport protection cpl.	1
19	8222011	Washer	10
20	8222005	Washer	16
21	6702618	Bolt	3
22	8171503	Adapter	1
23	200116.0	Bolt	6
24	8222035	Skærn Bolt	14
25	8252001	Bolt	6
26	00.372.01	Split	4
27	8222009	Facetwasher	7
28	1061042	Lock nut	2
29	8222008	Washer	3
30	8222014	Bolt	1
31	8252002	SætBolt	5
32	8172001	Bolt	10
33	200155.0	Tool for belt tension control "Optikrik"	1

33

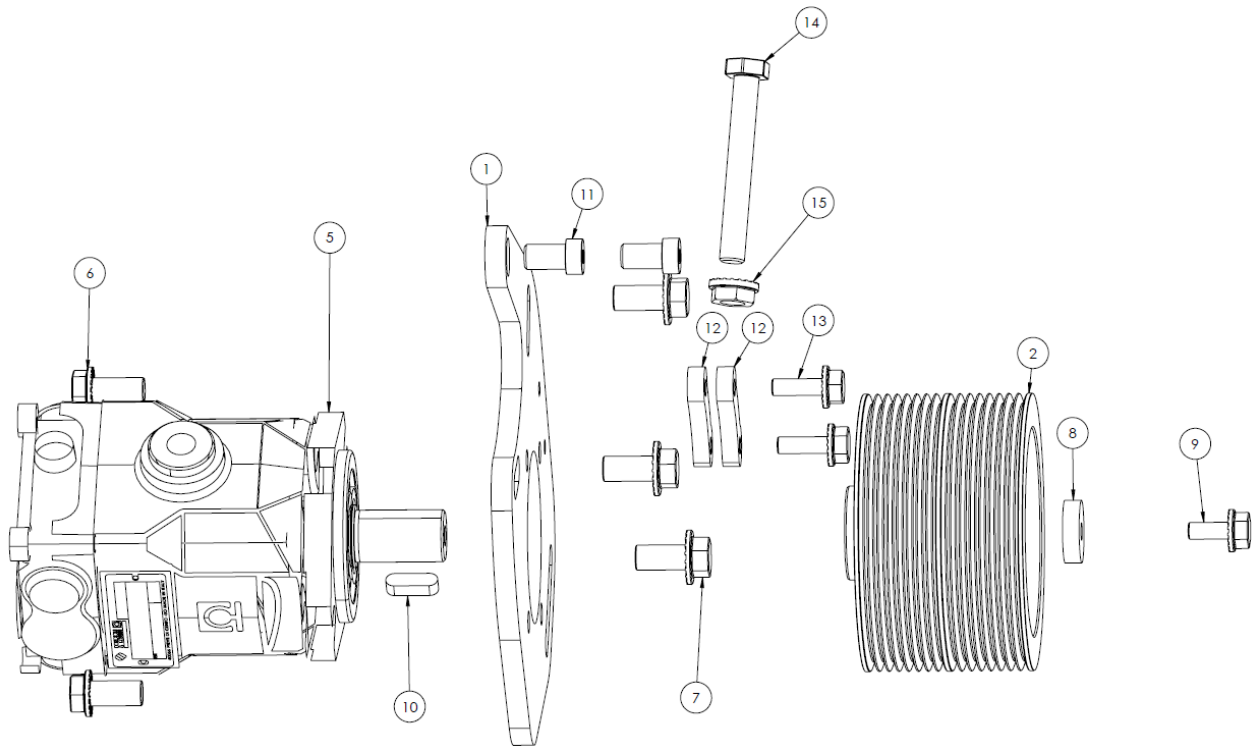


## Twinsaw Builtkit R/L 2x50L/100L ADGT 1364/1367/1373/1376



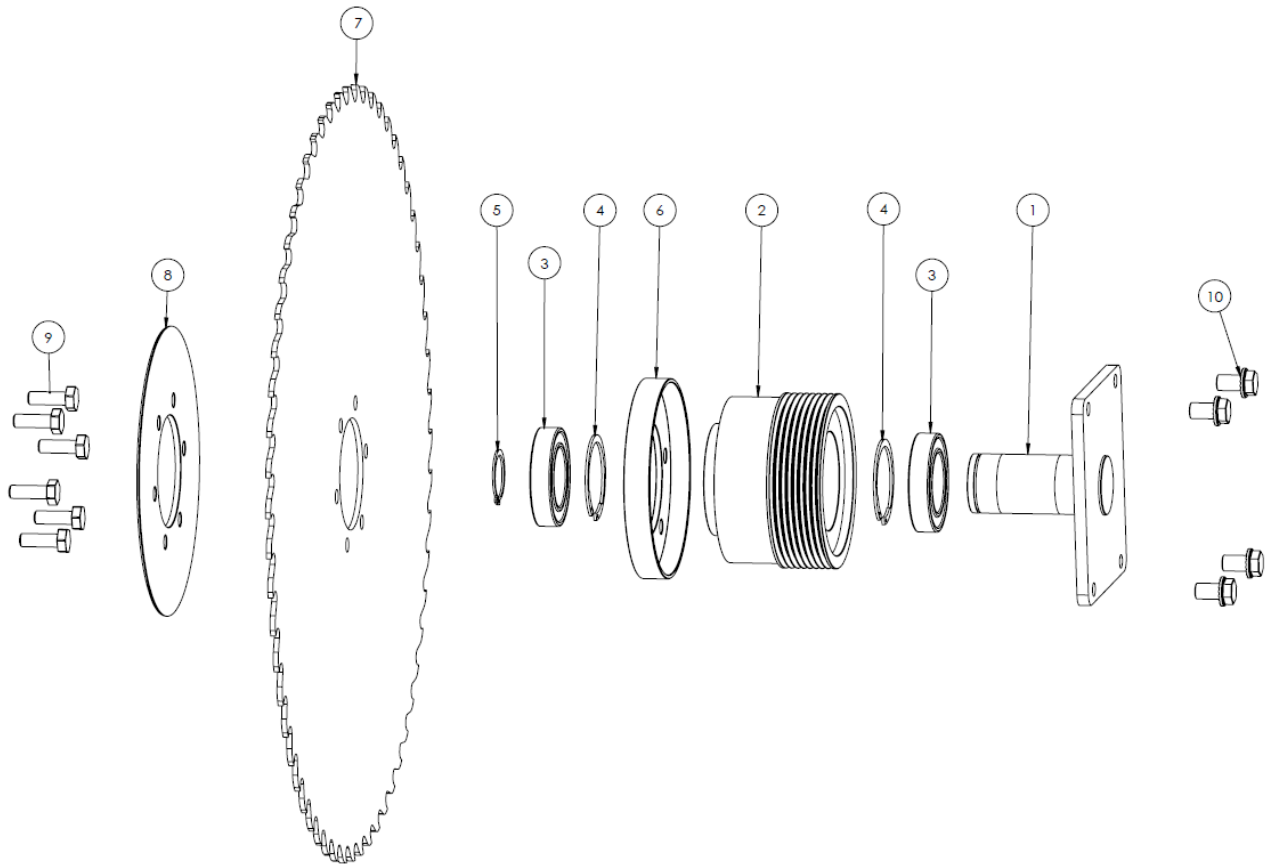
ITEM NO.	PART NUMBER	DESCRIPTION	QTY.
1	6702704	Unitekonsol	1
2	6702706	Cover f/ Unitekonsol	1
3	6702703	Adapter	1
4	6701814.4	Plate f/flowdivider R/L, use when 100L	1
5	6701814.5	Hoseholder R/L, use when 50/50L	1
6	6702617	Bolt	2/2
7	8252002	Bolt	8
8	8222008	Washer	4
9	8222009	Washer	4
10	6702238	Nut	4
11	6702703.2	Hoseholder R/L, use when 100L	1
12	GT-ADGT1376	Flowdivider, use when 100L	1
13	8142011	Bolt, use when 100L	4
NS		Hose & fittings	

## Motor



ITEM NO.	PART NUMBER	DESCRIPTION	QTY.
1	8251001	Adjuster plate RH see drawing	1
2	8254003	Pulley	1
5*	200231.0	Motor 85 liter	1
5*	200230.0	Motor 50 liter	1
5*	200230.1	Motor (only f/ HXF mount 50L)	1
*	200230A	Shaft sealkit for motor	1
*	200230B	Sealkit Cpl.	1
*	200230C	Shaft repair kit (200230A+bearing)	1
6	6702618	Bolt	2
7	6702618	Bolt	3
8	200138.0	Pulley washer	1
9	6702613	Bolt	1
10	8484005	Key	1
11	8222014	Bolt	1
12	8251010	Stop	2
13	6702614	Bolt	2
14	8222004	Bolt	1
15	6702619	Nut	1

## Blade shaft



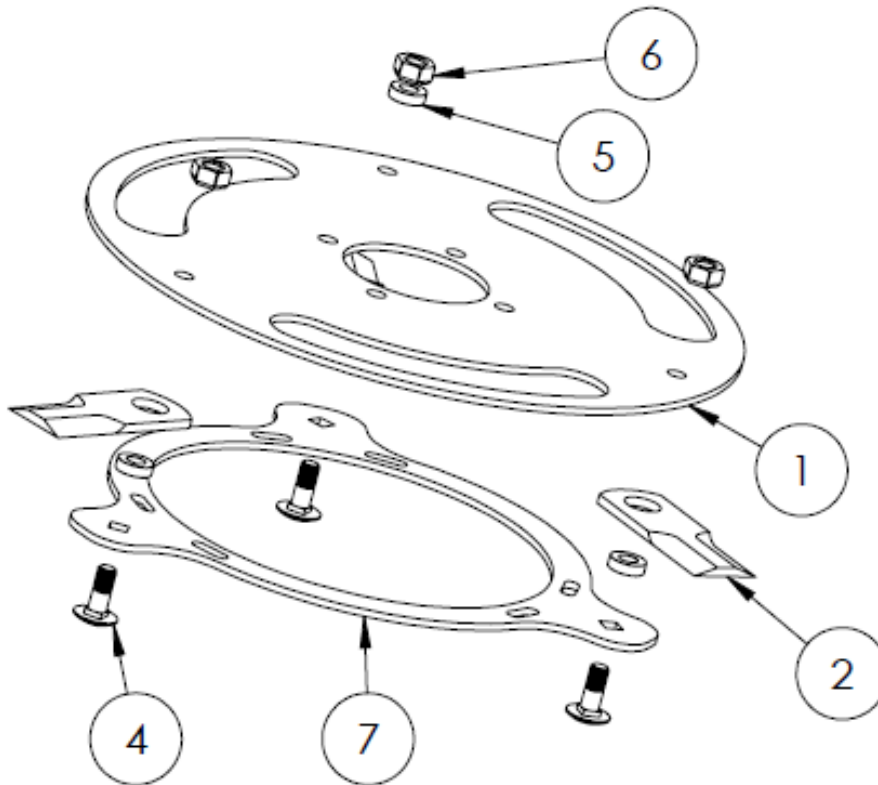
TEM NO.	PART NUMBER	DESCRIPTION	QTY.
1	8251507	Axle	1
2	8254005	Pulley	1
3	8254007	Bearing	2
4	8252003	Lock washer	2
5	2777518	Lock ring	1
6	8251005	Dust plate	1
Not shown		Wooden transportbox for 4 sawblades	1
7	8257001	Saw blade Ø590	1
8	8251006	Mounting plate	1
9	8222010	Sætbolt	6
10	6702617	Bolt	4

\*Qty. er antal forbrug pr. aksel.

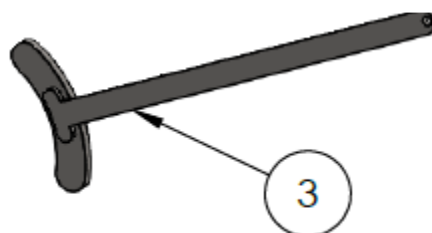
\*Qty. ist Anzahl an jeder Welle.

\*Qty. is no. for each Shaft.

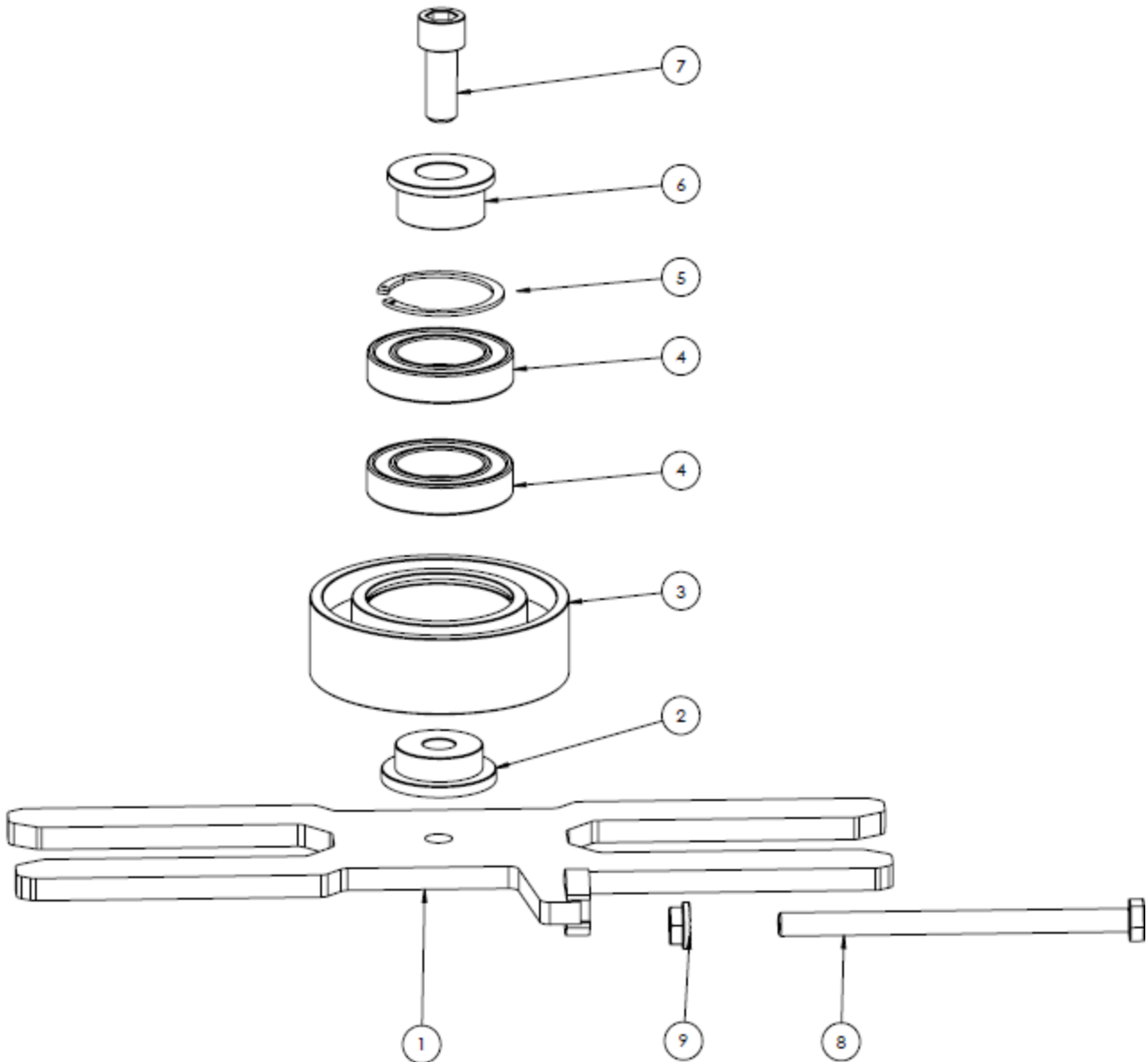
## Option Bladerotor kpl. OPTE 4225



ITEM NO.	PART NUMBER	DESCRIPTION	QTY.
	8251511	Rotor cpl.	4
NS	8177011	Plastic strip	1
1	8177003	Rotor upper	1
2	8487001	Knife	3
3	8621507	Tool for blade change	1
4	8481009	Bolt	3
5	8481008	Bushing	3
6	8482008	Nut	3
7	8177004	Rotor down	1

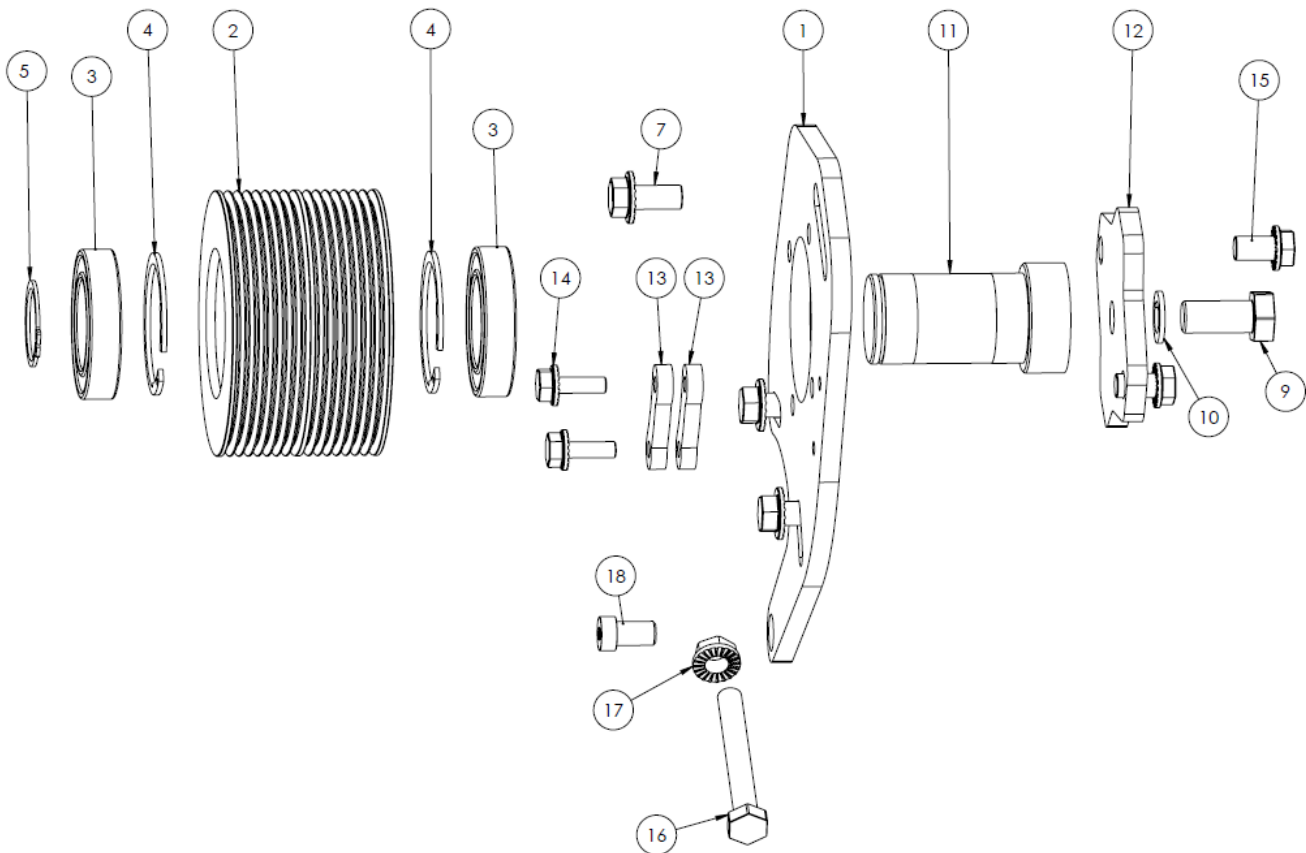


## Secondary tensioning system



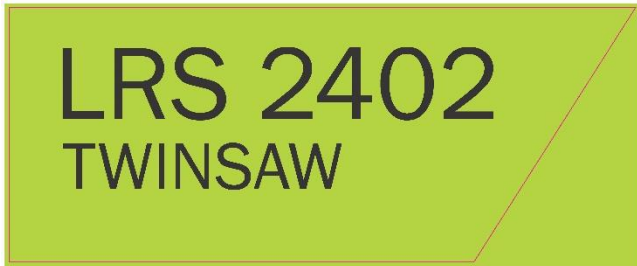
ITEM NO.	PART NUMBER	DESCRIPTION	QTY.
1	8251508	Adjuster fork	1
2	8251007	Shaft	1
3	8254004	Tensioner wheel	1
4	8254007	Bearing	2
5	8252003	Locking ring	1
6	8251008	Top Shaft	1
7	8252004	Bolt	1
8	8252005	Adjuster bolt	1
9	6702619	Nut	1

## Primary tensioning system

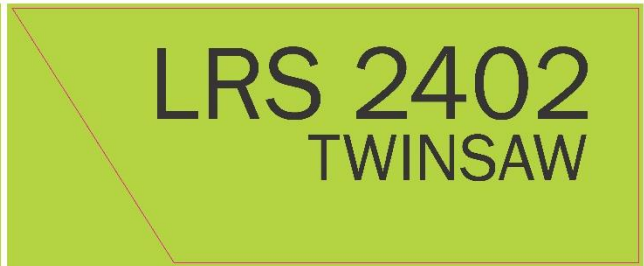


ITEM NO.	PART NUMBER	DESCRIPTION	QTY.
1	8251001	Adjuster plate RH/LH	1
2	8254006	Pulley	1
3	8254007	Bearing	2
4	8252003	Locking ring	2
5	2777518	Locking ring	1
7	6702618	Bolt	3
9	8222012	Bolt	1
10	8222013	Washer	1
11	8251003	Shaft/axel	1
12	8221007	Adapter plate	1
13	8251010	Stop	2
14	6702614	Bolt	2
15	6702617	Bolt	2
16	8222004	Bolt	1
17	6702619	Nut	1
18	8222014	Bolt	1
Not shown	200155.0	Tool for belttension control "optikrik II"	1

# Transfers



LRS 2402 270 x 120 mm



LRS 2402 270 x 120 mm



LRS 2402 270 x 150 mm



LRS 2402 270 x 150 mm



LRS 2402 300 x 150 mm



LRS 2402 300 x 150 mm



LRS 2402 300 x 150 mm

LRS 2402 300 x 150 mm

LRS 2402 300 x 150 mm

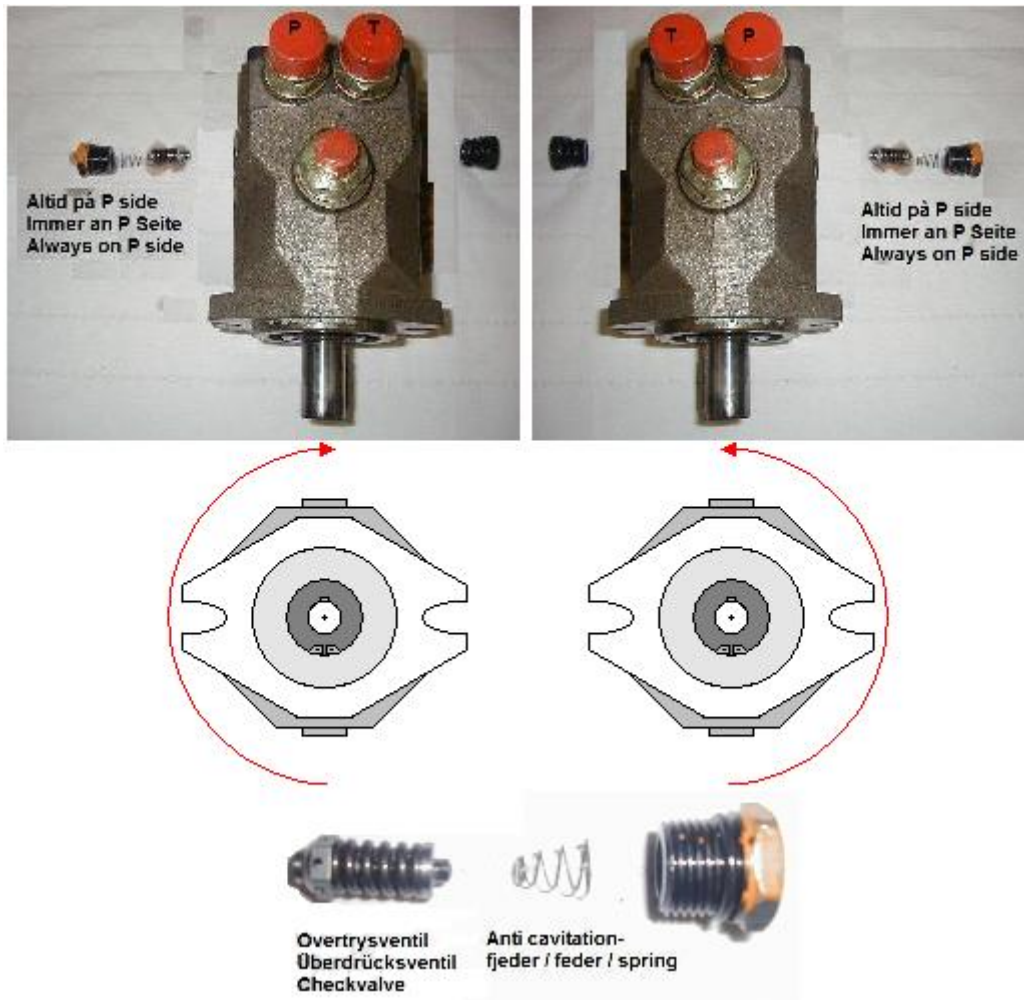
**LRS 2402 KITS TWINSAW**

ITEM NO.	PART NUMBER	DESCRIPTION	QTY.
1	LRS2402TwinsawKITS	Transfers cpl. kit	1



## Piston motor info

### Motor som reservedel / Motor als Ersatzteil / Motor as sparepart



**DK:** Nye motorer leveres uden overtryksventil. Afmonter den fra tidligere motor. Monter den i samme side som den tidligere var monteret. På LRS save, mod midten. Udvis omhu ved montage. Brug IKKE luftværktøj.  
HUSK !!!!! Spæd motor op med olie inden opstart. Ca. 1 dl.

**D:** Neue Motor wird geliefert ohne Überdrücksventil. Nehmen Sie es von Frühere Motor. Montieren Sie es von gleiche Seite als früher. An LRS Säge, Richtung Mitte. Achten Sie beim Einbau. Verwenden Sie KEINE Druckluft-Werkzeuge.  
Achtung !!!!! Immer Motor mit Öl füllen bevor Start. Etwa. 1 dl.

**GB:** New motors is always delivered without reliefvalve. Use the one from earlier motor. Mount it in the same side as earlier. On Quadsaw, pointing against centre. Take care when mounting and, DO NOT use air tools.  
Warning !!!!! Fill motor with oil before starting it. Roughly 1 dl.





Merkurvej 25 | DK-6000 Kolding | Tel.: +45 75 55 36 44 | [info@GreenTec.eu](mailto:info@GreenTec.eu) | [www.GreenTec.eu](http://www.GreenTec.eu)

*Cutting Edge Technology*